

MicroFLEX

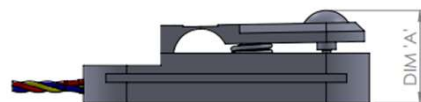
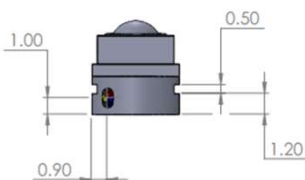
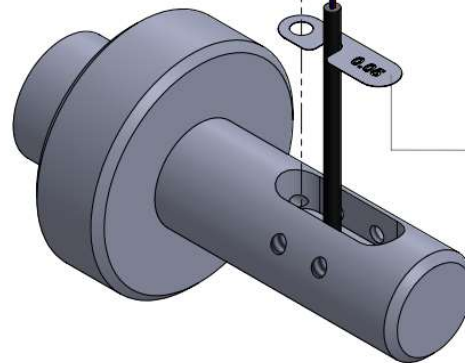
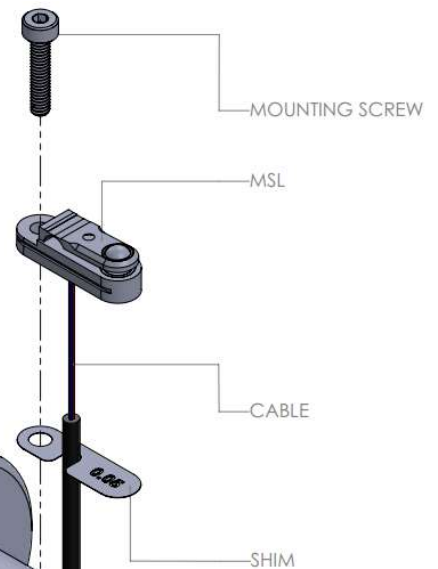
AMETEK®

MICRO SINGLE LEAF FLEXURE

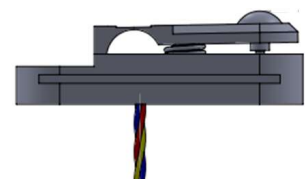
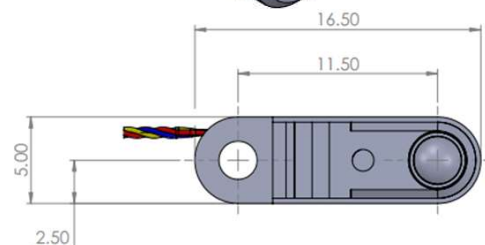
A rugged, precise sensor that is just 5.5 mm high

KEY FEATURES

- Miniature Flexure device Size :
 - 16.5 long x 5 wide x 5.5 mm High.
 - 0.4 mm measurement range
- **17-7PH Steel Body** for Maximum Performance.
- Mounting can be accomplished using an M2 screw or gripping from the side
- Side or Bottom cable options available
- Ideal for mounting in Bore Gauge Equipment.
- Tungsten Carbide, Ruby, & Silicon Nitride Tip Options available.
- Optional pack of shims so probe is at proper level in a pocket
- Fully compatible with Solartron Orbit® Network and Wireless Products



Side Cable



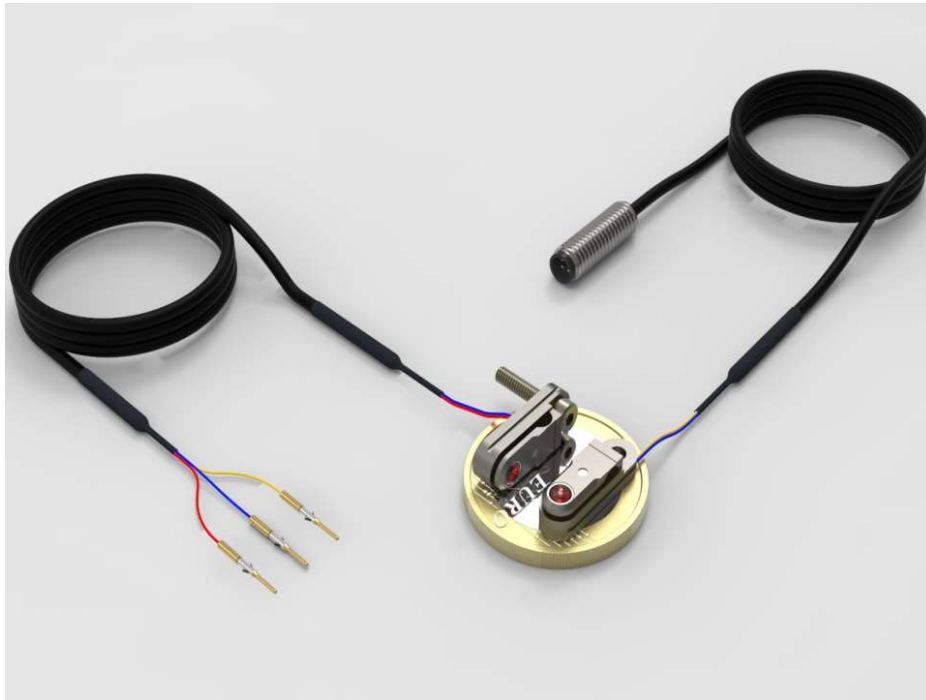
Bottom cable

REAL PRECISION. REAL SOLUTIONS.

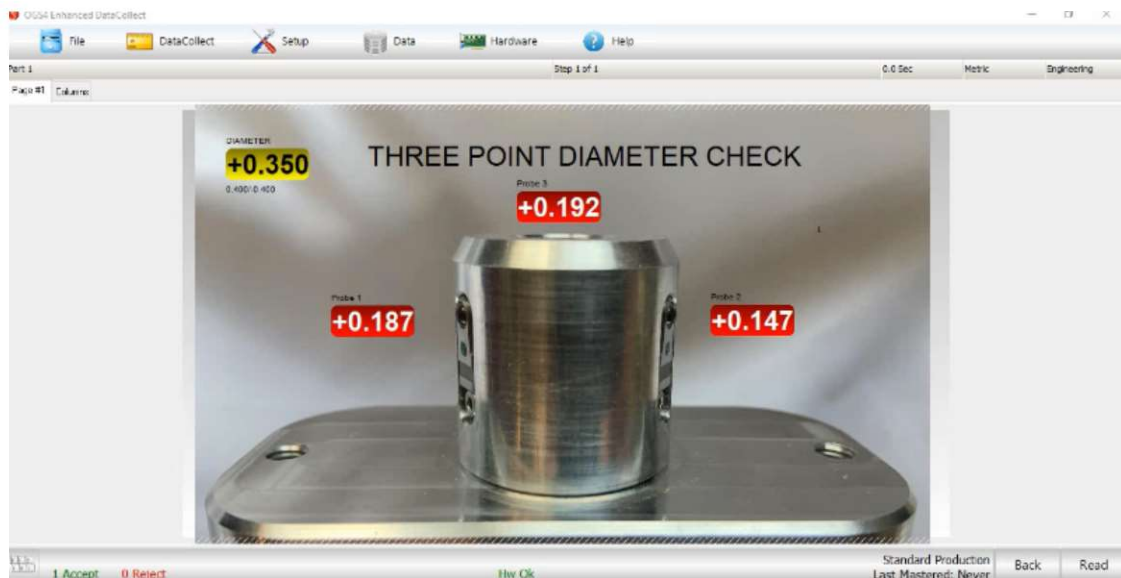
www.solartronmetrology.com • sales.solartronmetrology@ametec.com

Different Cable Options

AMETEK®



Output data using Orbit® Network and/or Multi-Channel Wi-Gauge

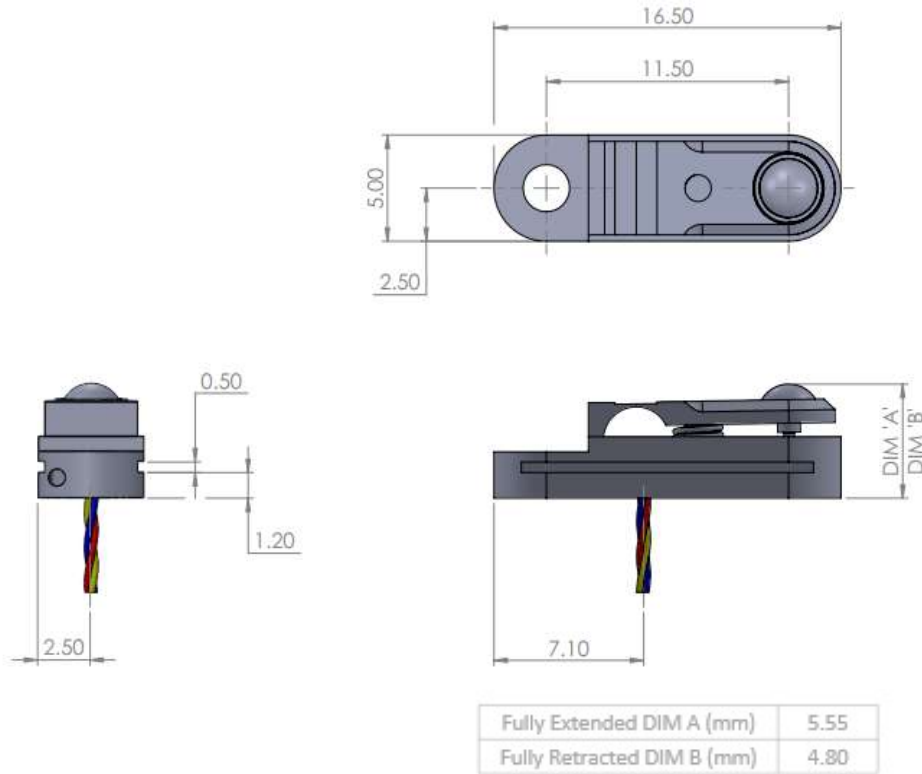


Technical Specification

Products	Micro Single Leaf Flexure
Spring Push	MSL/0.4/S
Measurement Performance	
Total Measurement Range (mm)	0.40
Accuracy (% of Reading) (Note 1)	0.05
Repeatability (µm)	0.5
Resolution (µm)	<0.1
Pre Travel (mm)	0.02/0.05
Post Travel (mm) (Min)	0.19
Tip Force (gf) at Middle of Range ±30%	
Spring Push	90
Temperature Coefficient microns/°C	0.3
Environmental	
Sealing for Probe	IP40
Sealing for Probe Interface Electronics	IP43 for module and TCON
Storage Temperature (°C)	-20 to +80
Probe Operating Temperature with Gaiter (°C)	0 to +80
Electronics Operating Temperature (°C)	0 to 60
EMC Emissions	EN61000-6-3
EMC Immunity	EN61000-6-2
Vibration	10g upto 2 kHz
Material	
Probe Body	17-7 PH
Probe Tip (options)	Fixed (1.25 mm Rad Ball)
Cable	PUR
Electronics Module	ABS
Electronics Interface (Orbit®3)	
Orbit®3 Interface Options	USB, Ethernet, RS232
Reading Rate	3906 readings per second
Bandwidth of Electronics (Hz) user selectable	460, 230, 115, 58, 29, 14, 7,4
Power	5±0.25 VDC @ 0.06 A typical

Note 1: Accuracy 0.1 µm or % reading whichever is the greater

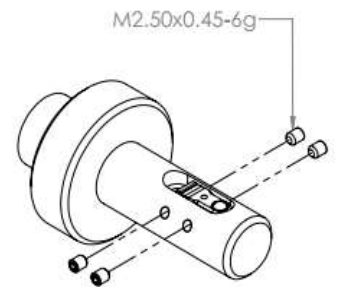
Drawing



MOUNTING OPTION

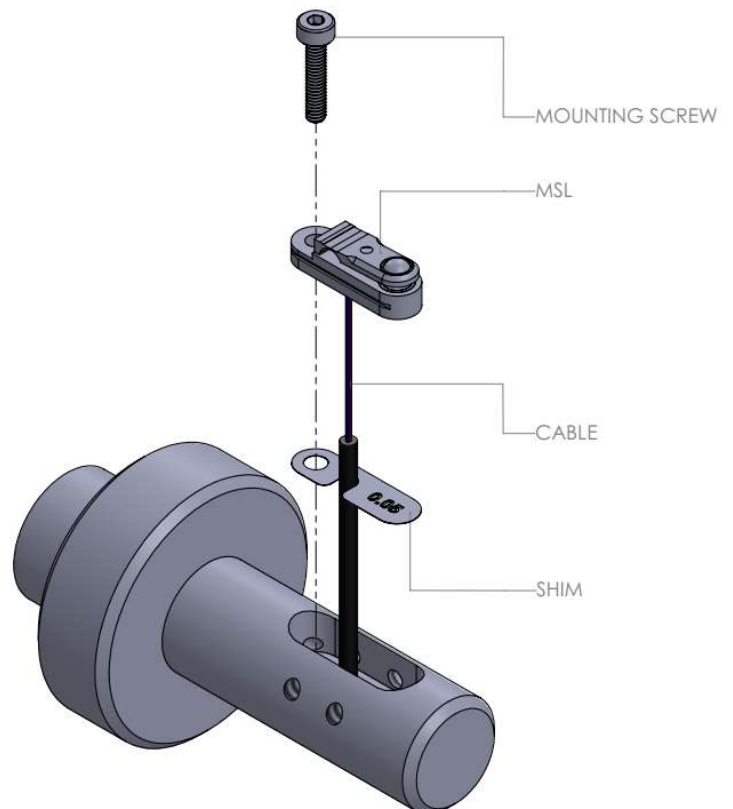


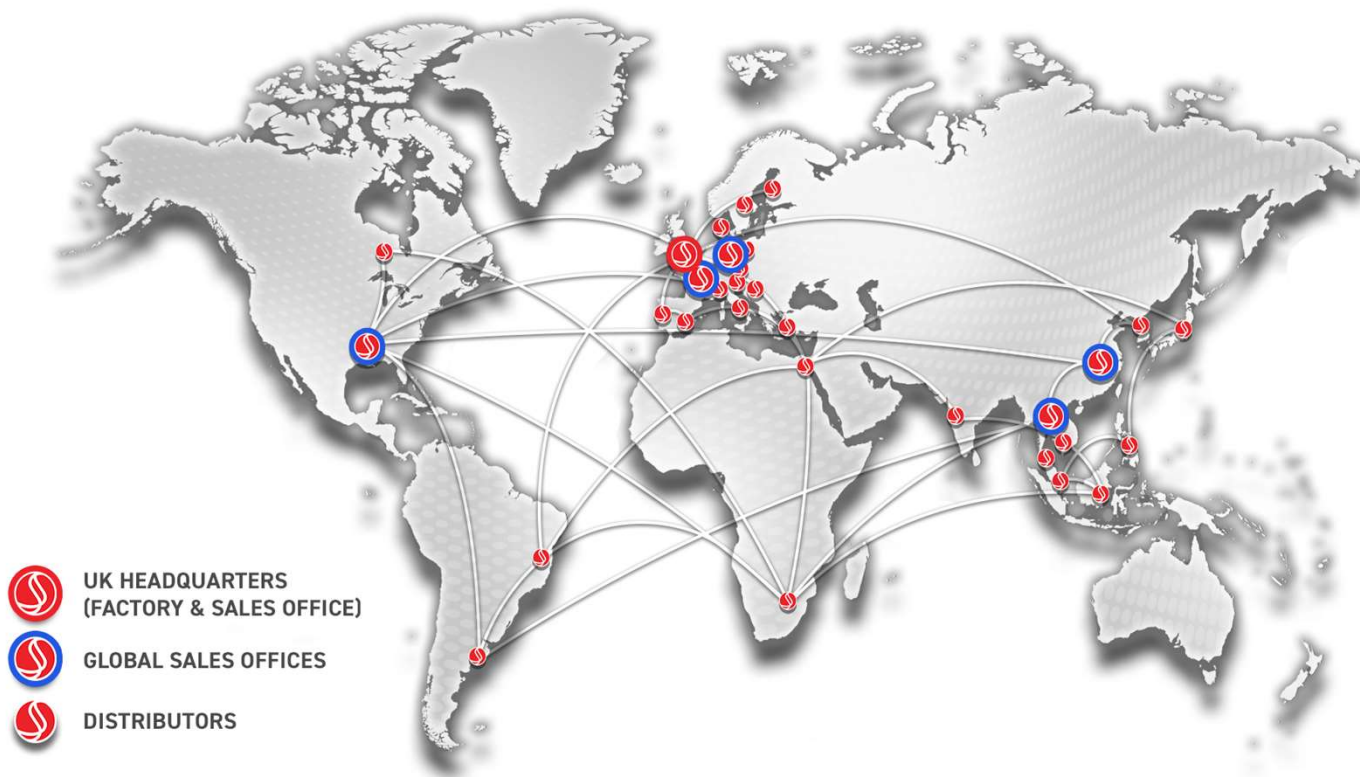
TOP MOUNT



SIDE MOUNT

Optional Shims





UK Head Office and Factory

Solartron Metrology
Steyning Way
Bognor Regis
West Sussex
UK, PO22 9ST
Tel: +44 (0) 1243 833333
Email: sales.solartronmetrology@ametek.com

France

Ametek SAS
Solartron Metrology Division
Rond point de l'epine des champs
Buroplus Bat D
Elancourt
78990
France
Tel: +33 (0) 1 30 68 89 50
Email: Info.solartronmetrology@ametek.fr

Germany

Ametek GmbH
Solartron Metrology Division
Rudolf-Diesel-Strasse 16
40670 Meerbusch
Tel: +49 (0) 2159 9136 500
Email: vertrieb.solartron@ametek.com

China

Ametek Commercial Enterprise (Shanghai) Co., Ltd
Part A1, A4 2nd Floor
Building No 1, No 526 Fute
3rd Road East
Shanghai
Pilot Free Trade Zone
200131
China
Tel: +86 21 5763 2509
Email: china.solartronmetrology@ametek.com

USA

Solartron Metrology
915 N. New Hope Road, Suite C
Gastonia, NC 28054
Tel: +1 800 873 5838
Email: usasales.solartronmetrology@ametek.com

Japan

Ametek -Japan
Solartron Metrology Division
Tokyo Office
Shiba NBF Tower (1F, 3F)
1-1-30, Shiba Diamon Minato-Ku, Tokyo, Japan
(P.C.105-0012)
Email: hidena.tanaka@ametek.com

Thailand

Ametek (Thailand)
Solartron Metrology Division
B4.1.1 – B4.1.3 Floor 1st, SUMMER Lasalle
846 La Salle Rd., Bangna Tai, Bang Na
Bangkok, 10260, Thailand
Tel: +66 2 012 7500
Mobile: +66 92 087 9222
Email: hidena.tanaka@ametek.com

Solartron Metrology also carries an extensive network of sales agents in all major countries. For a local contact, go to www.solartronmetrology.com/contact or email at sales.solartronmetrology@ametek.com